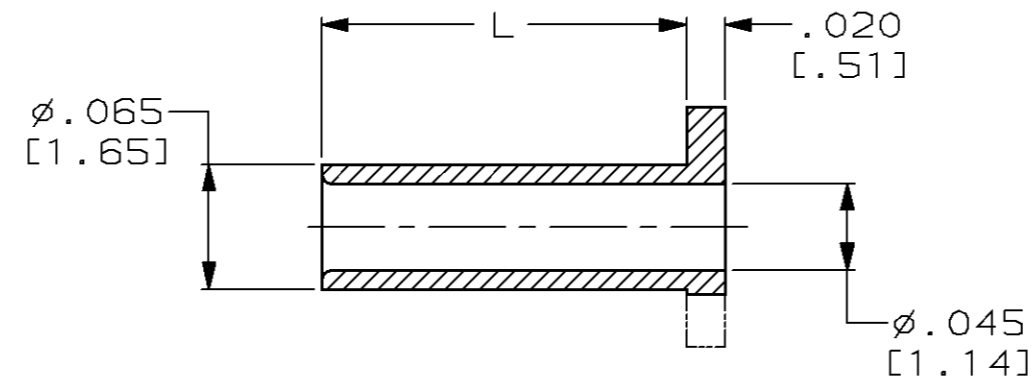
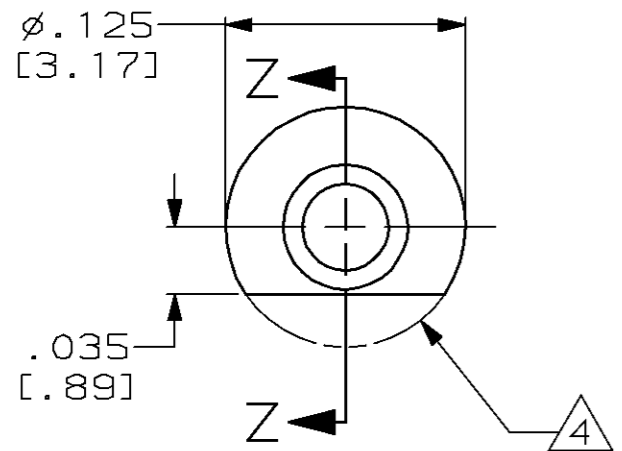


THIS DRAWING IS UNPUBLISHED. RELEASED FOR PUBLICATION ,19 .
 © COPYRIGHT 19 BY AMP INCORPORATED. ALL RIGHTS RESERVED.

| LOC | DIST | REVISIONS | | | |
|-----|------|-------------|-----------------------------|----------|-------|
| P | LTR | DESCRIPTION | DATE | DWN | APVD |
| DF | F0 | D | REV REDRAW PER 0600-4885-95 | 02-05-98 | JB DM |

- ① BRASS, NICKEL PLATED.
- ② USE TO SECURE KEY PART NUMBER 530341-1 IN PIN HEADER ASSEMBLY PART NUMBER 530339 WITH TOOL PART NUMBER 91117-1.
- ③ USE TO SECURE PART NUMBER 530341-1 IN 1001 SERIES PIN HEADER ASSEMBLY SUCH AS 531721.
- ④ FULL FLANGE HEAD, APPLICABLE WHERE NOTED ONLY (SEE TABLE).



SECTION Z-Z

| MILITARY PART NUMBER | REMARKS | L | PART NUMBER |
|----------------------|------------|------|-------------|
| - | AS SHOWN | .125 | 530347-9 |
| - | ④ | .145 | 530347-8 |
| - | AS SHOWN | .145 | 530347-5 |
| M55302/31-10 | ③ ④ | .190 | 530347-3 |
| - | AS SHOWN ② | .190 | 530347-2 |
| M55302/31-05 | AS SHOWN ② | .170 | 530347-1 |

| | | | |
|--|--|---|--|
| <small>THIS DRAWING IS A CONTROLLED DOCUMENT FOR AMP INCORPORATED. IT IS SUBJECT TO CHANGE AND THE CONTROLLING ENGINEERING ORGANIZATION SHOULD BE CONTACTED FOR THE LATEST REVISION.</small> | | DWN T. ALEXANDER 12-15-94 CHK D. MILLER 12-22-94 APVD B. FOLEY 12-22-94 | AMP AMP Incorporated Harrisburg, PA 17105-3608 |
| DIMENSIONS: mm | TOLERANCES UNLESS OTHERWISE SPECIFIED: 0 PLC ±- 1 PLC ±- 2 PLC ±- 3 PLC ±.005 [.13] 4 PLC ±- ANGLES ±- | PRODUCT SPEC - APPLICATION SPEC - WEIGHT - | NAME KEY RIVET, BOX CONNECTOR |
| MATERIAL | FINISH | SIZE A3 | CAGE CODE 00779 |
| CUSTOMER DRAWING | | DRAWING NO C-530347 | SCALE 10:1 SHEET 1 OF 1 REV D |